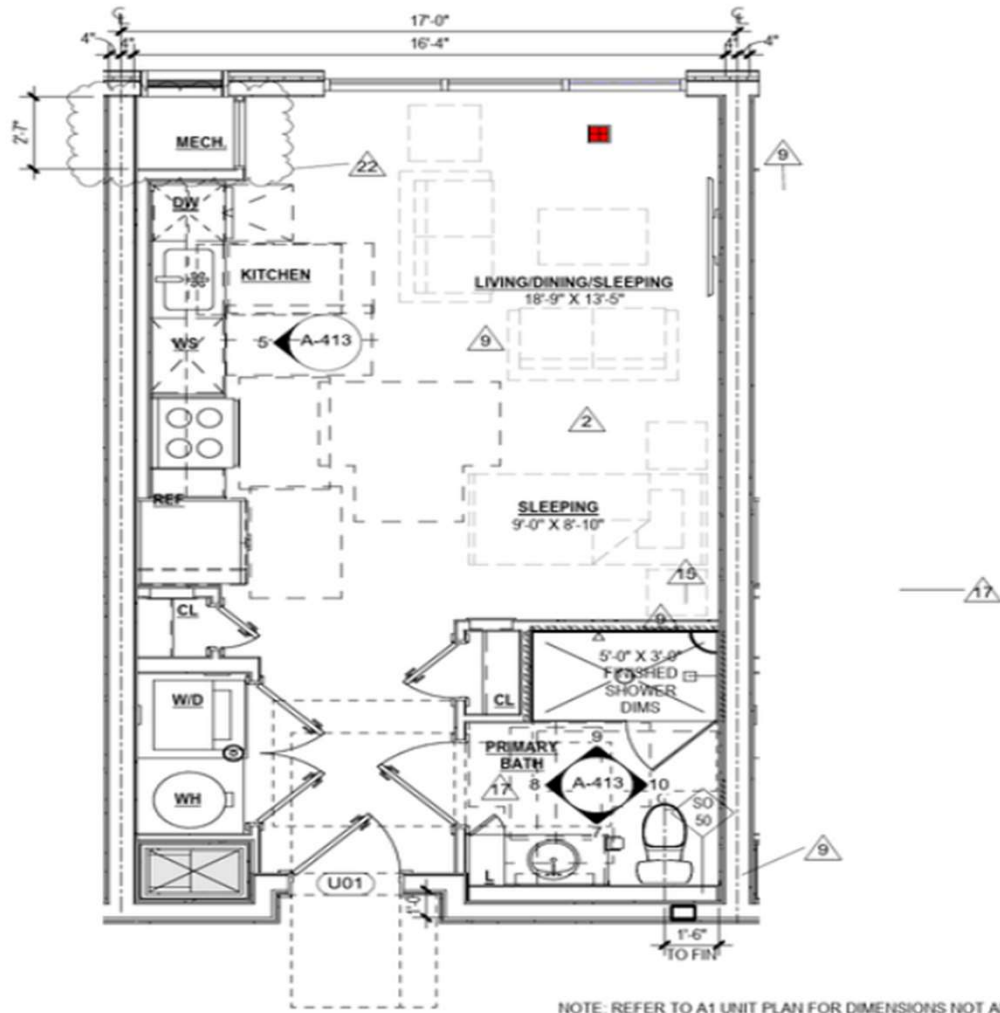
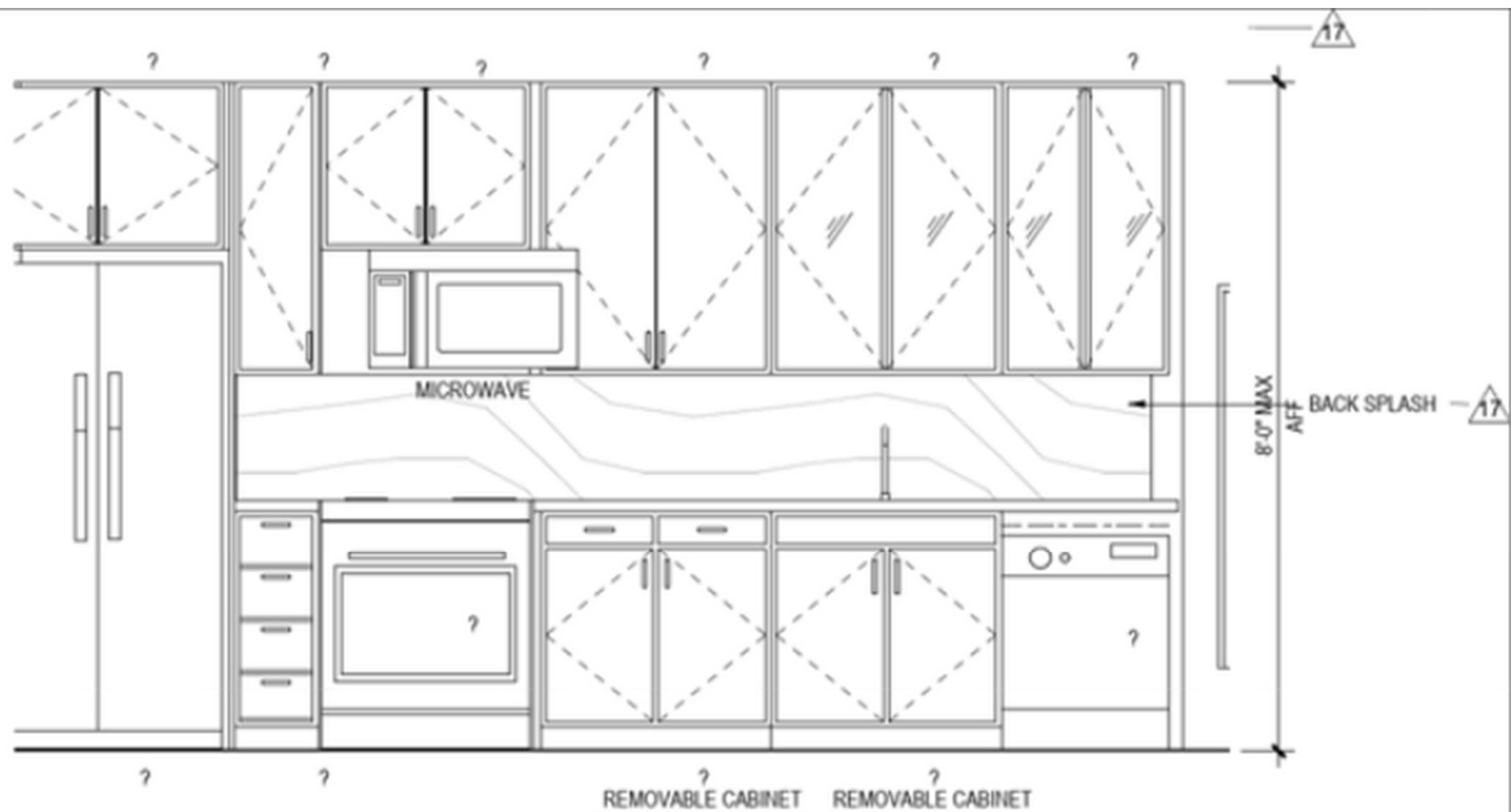


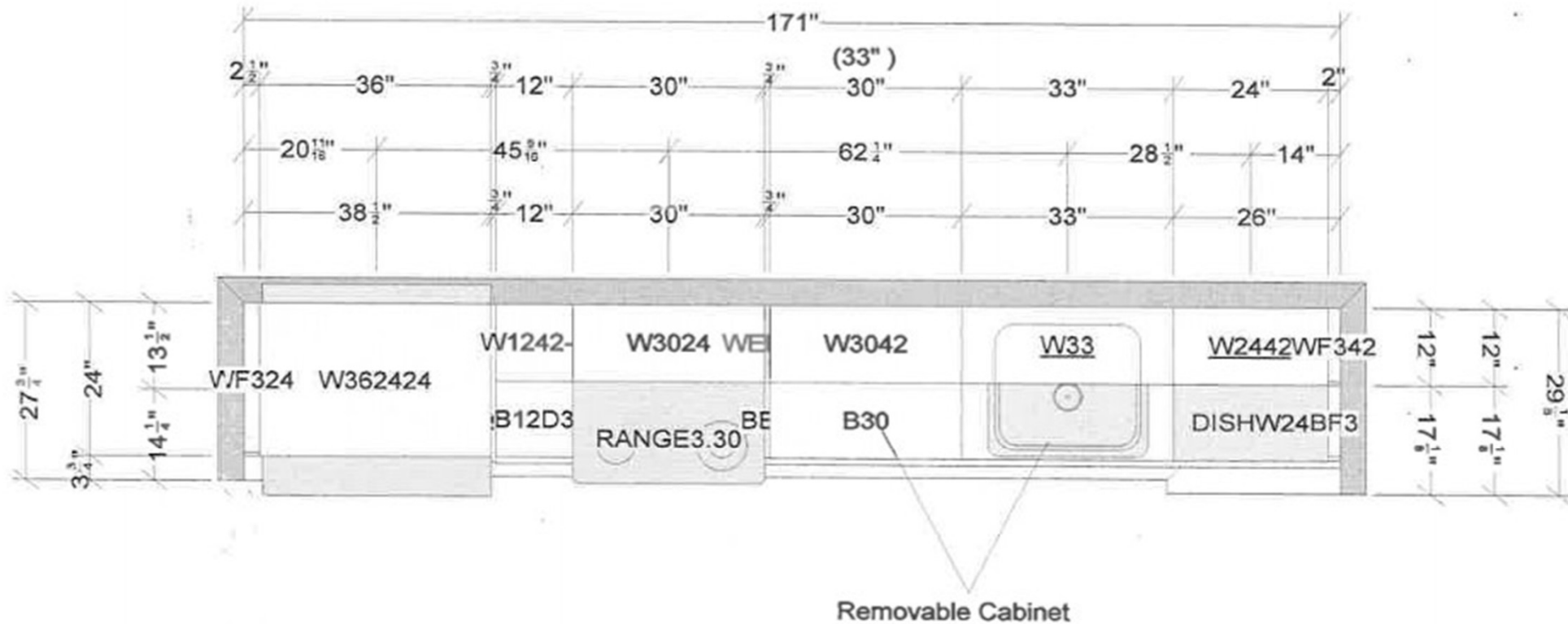
A1m2

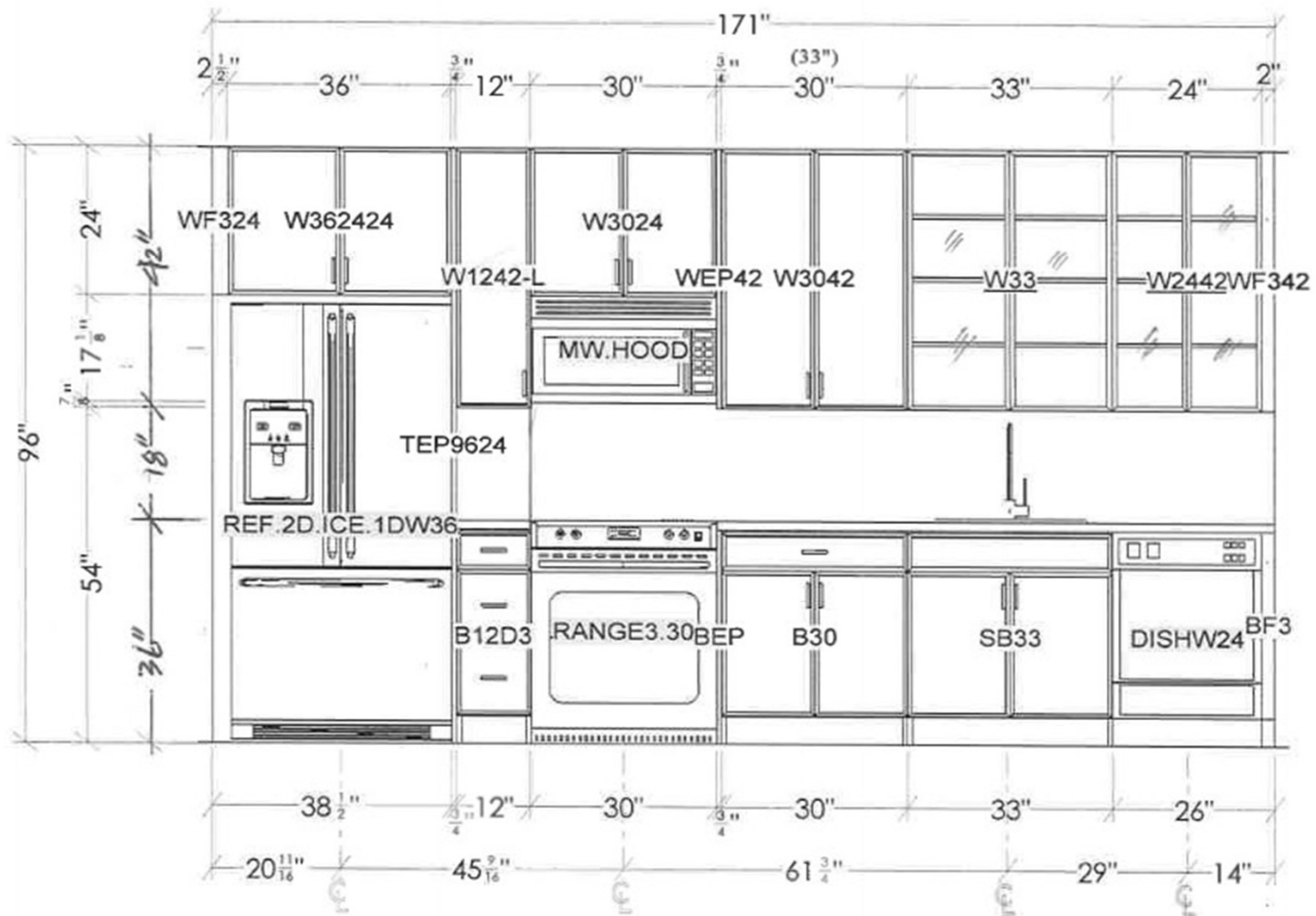


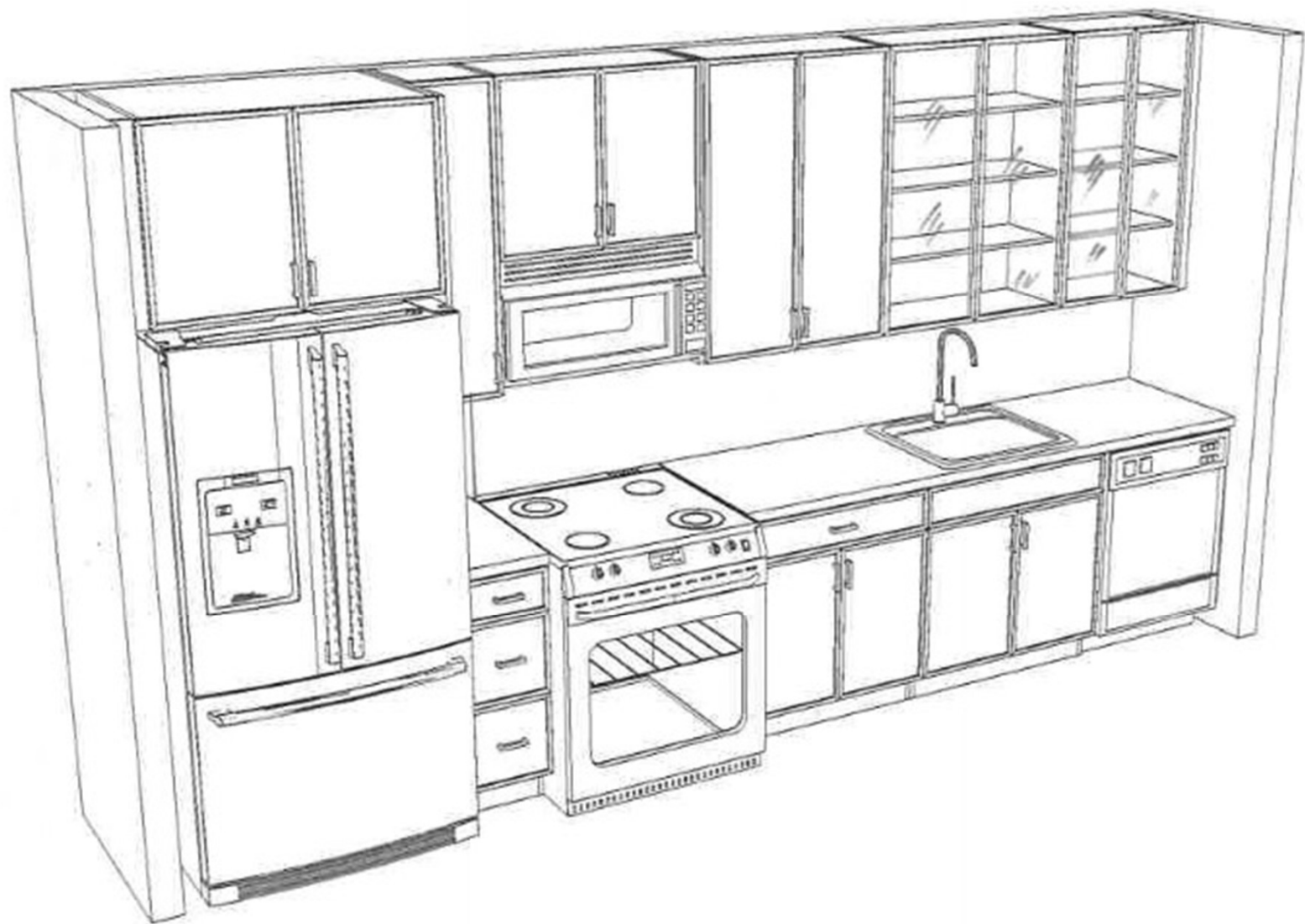
NOTE: REFER TO A1 UNIT PLAN FOR DIMENSIONS NOT ANNOTATED

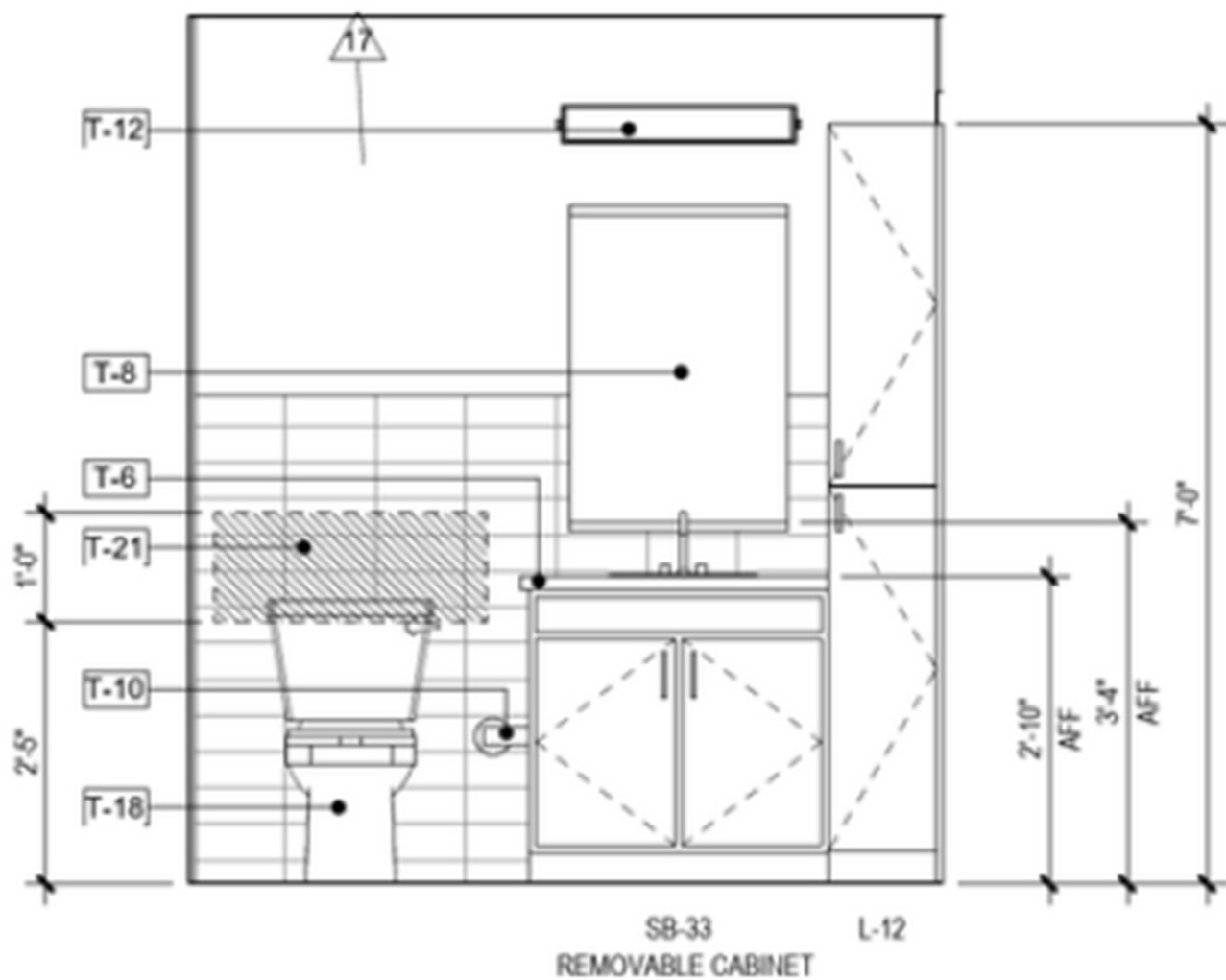
<div style="border: 1px solid black; border-radius: 50%; width: 30px; height: 30px; display: flex; align-items: center; justify-content: center;"> <span style="font-size: 12px;">1</span> </div> <div style="border: 1px solid black; border-radius: 50%; width: 30px; height: 30px; display: flex; align-items: center; justify-content: center;"> <span style="font-size: 12px;">A-413</span> </div>	<b>UNIT A1M2 PLAN</b>	TOTAL 2 UNIT	AREA	505 GSF
	Scale: 1/4" = 1'-0"			

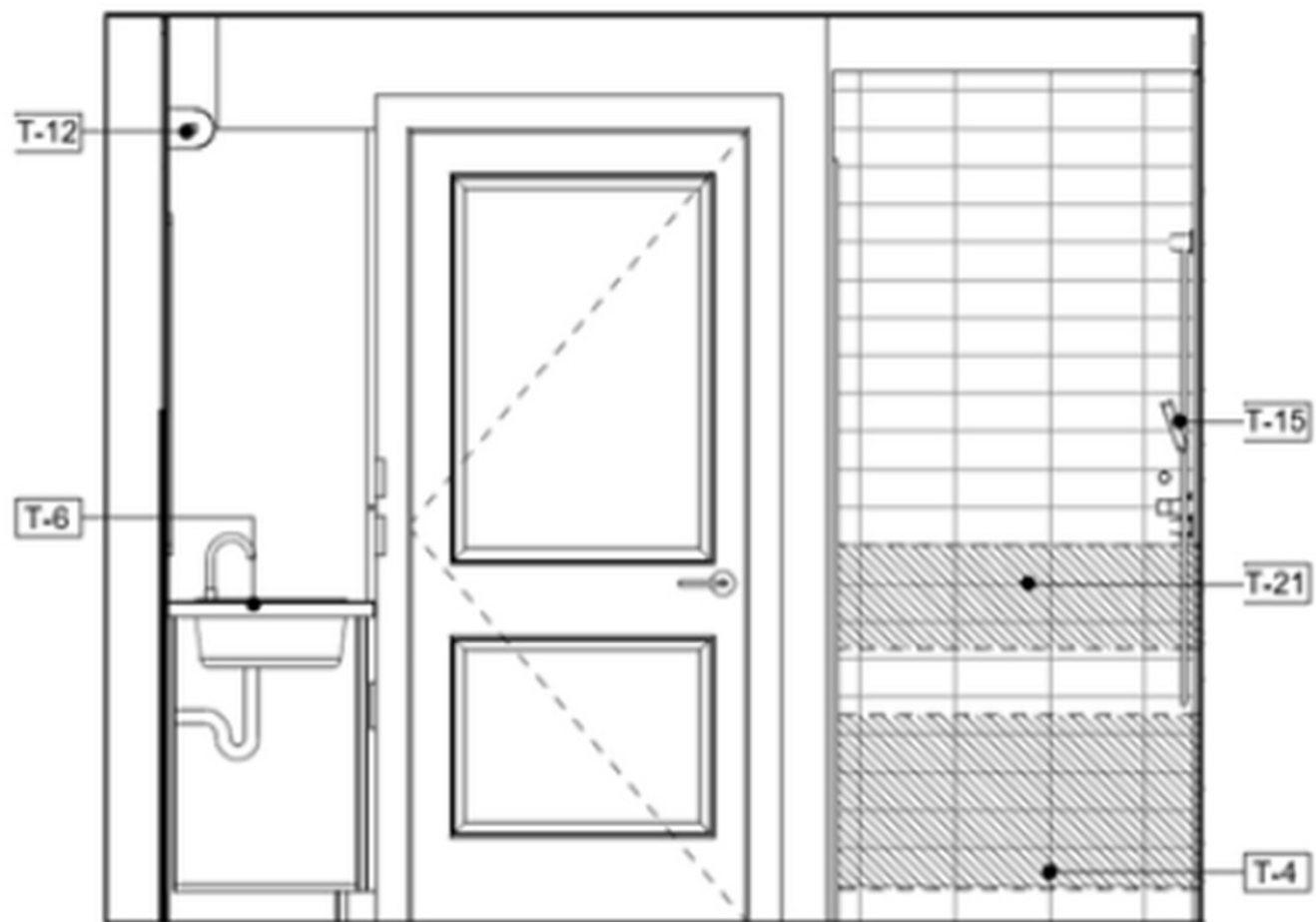




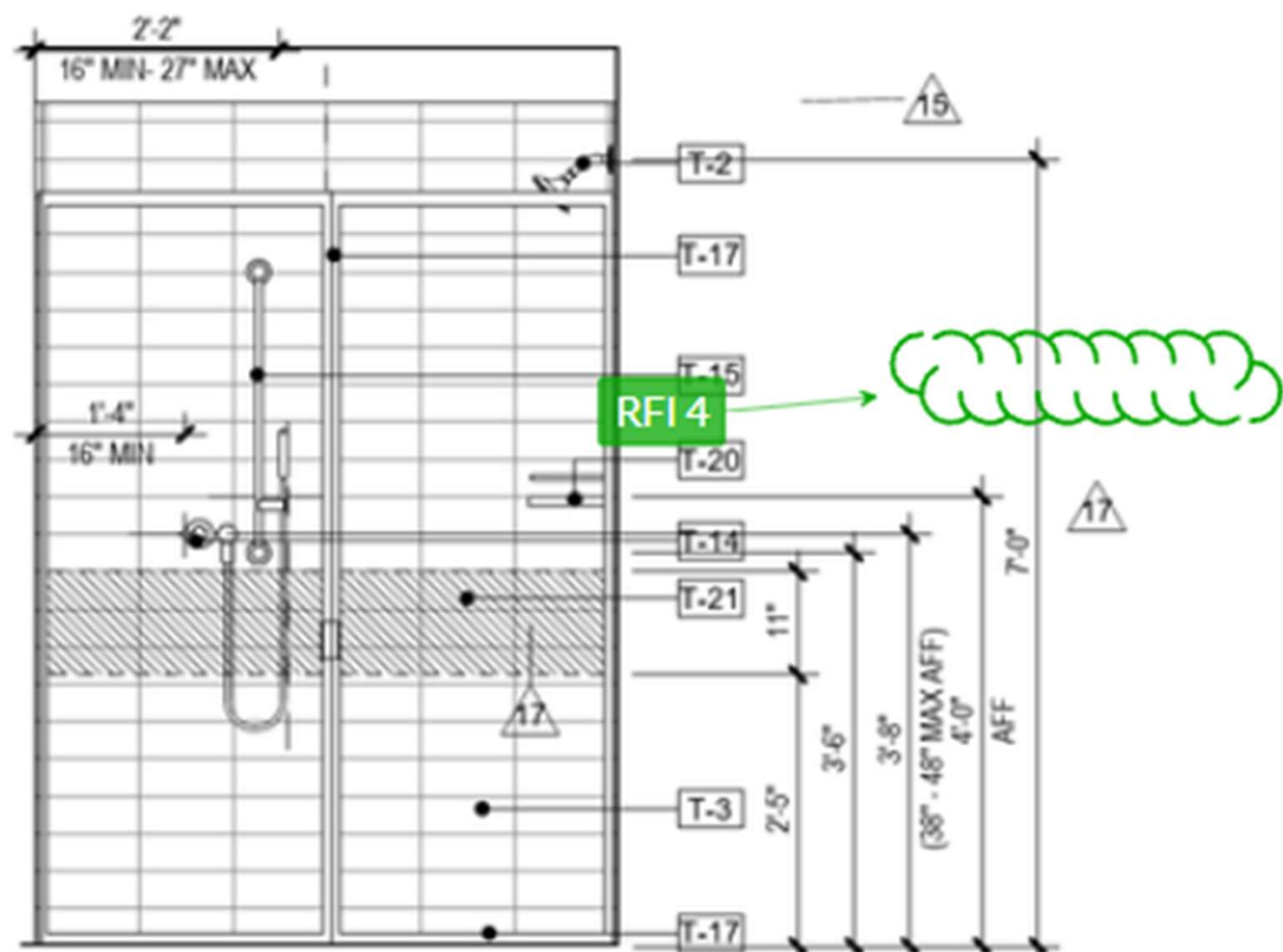


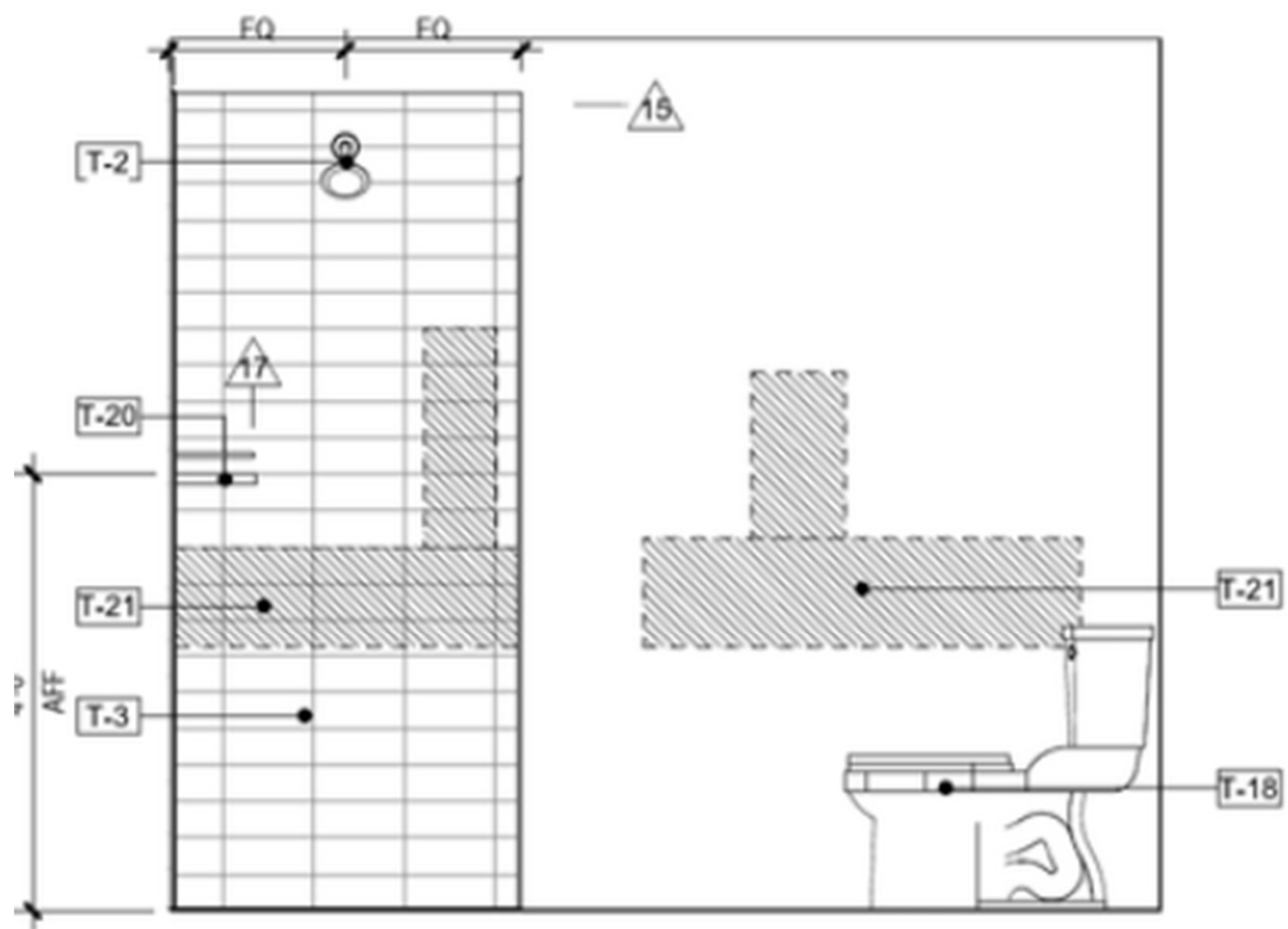


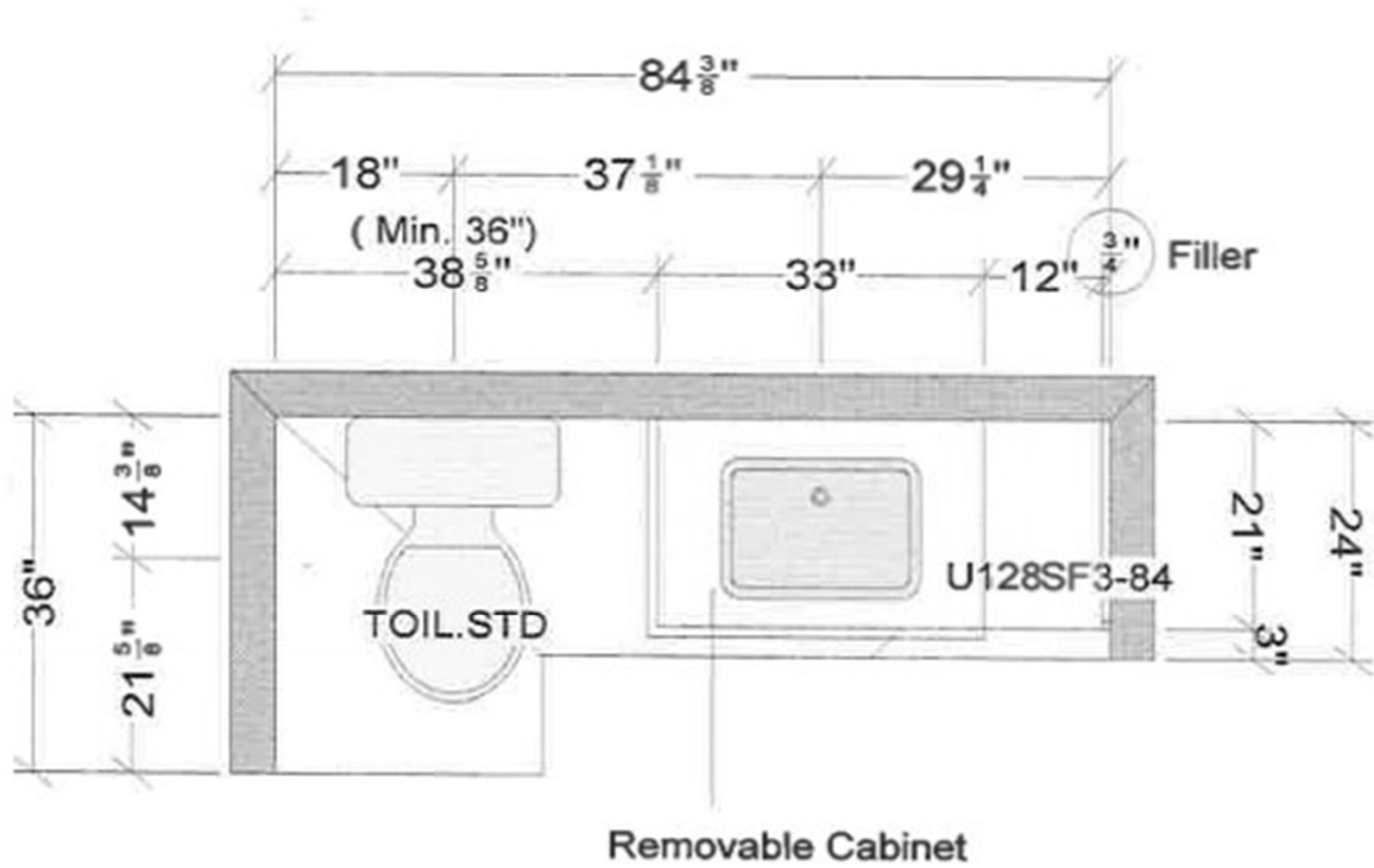


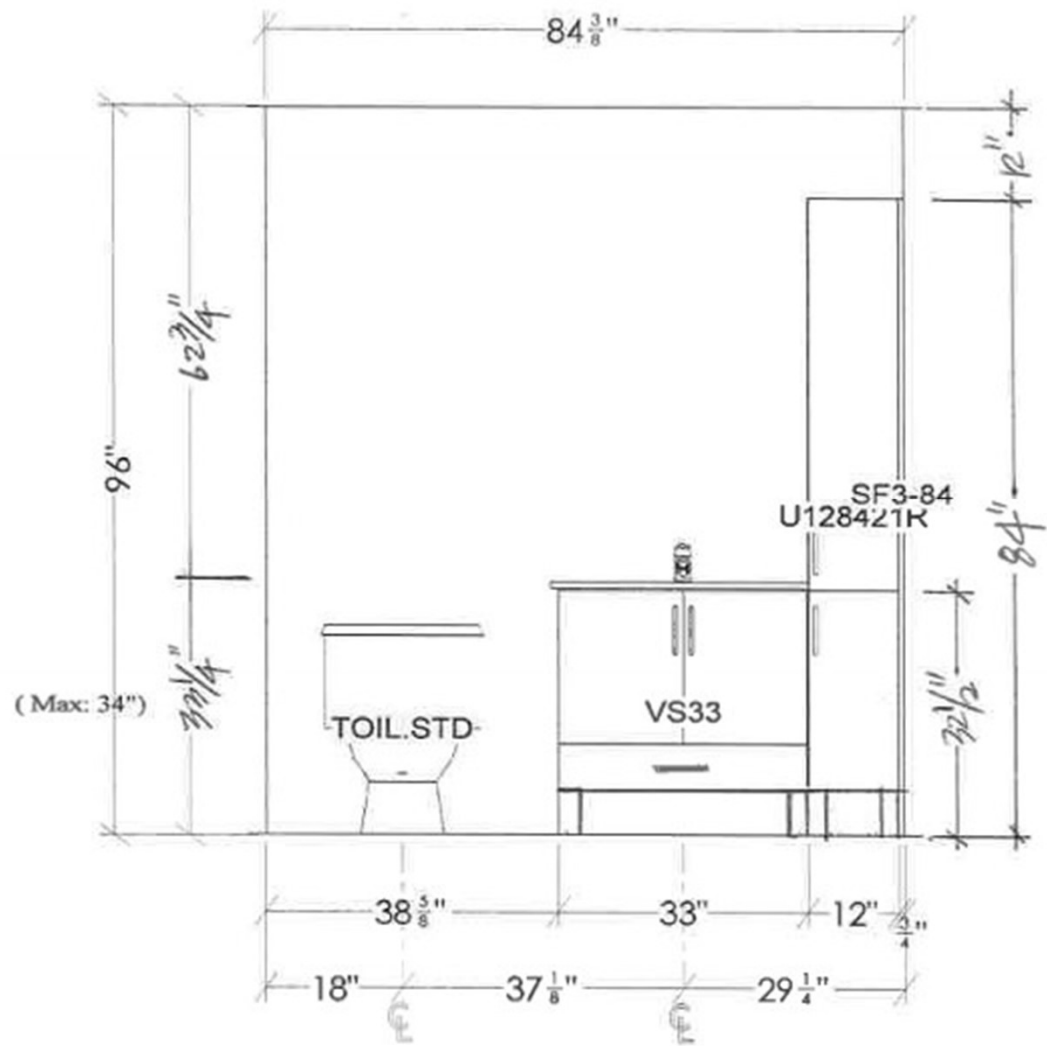


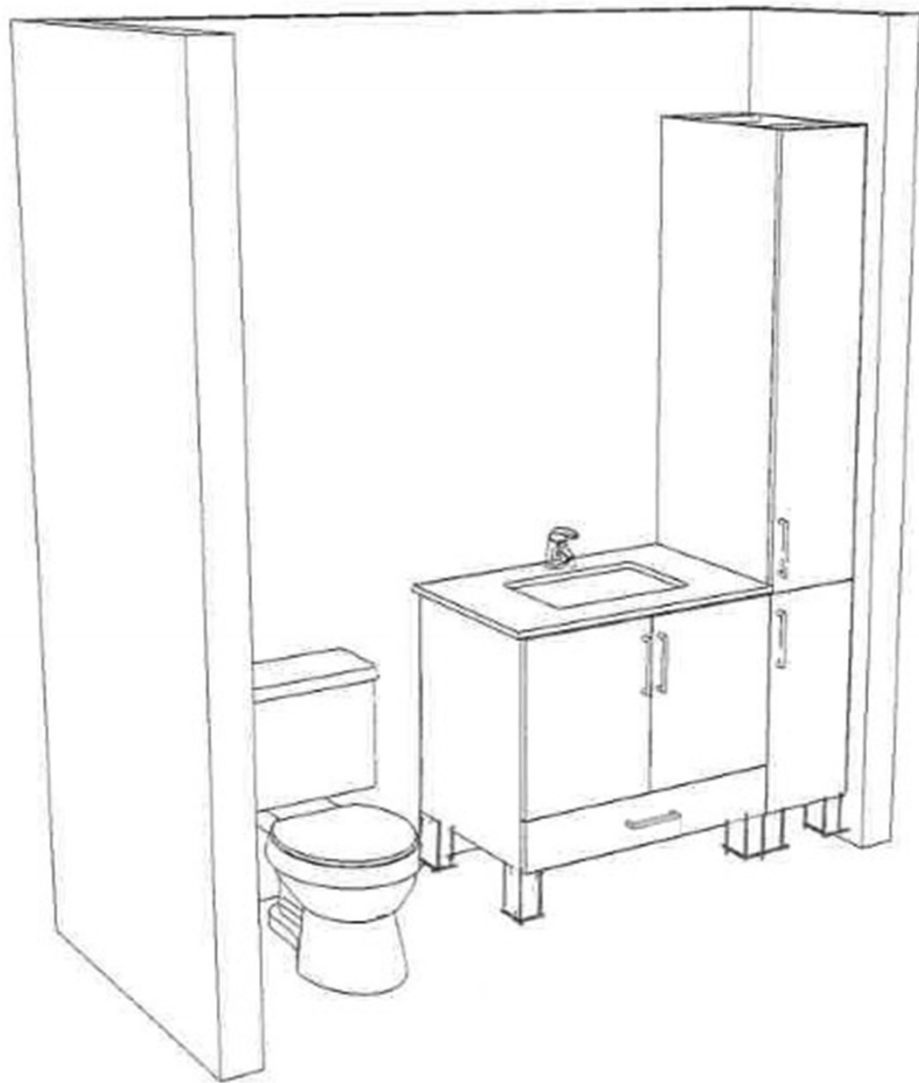


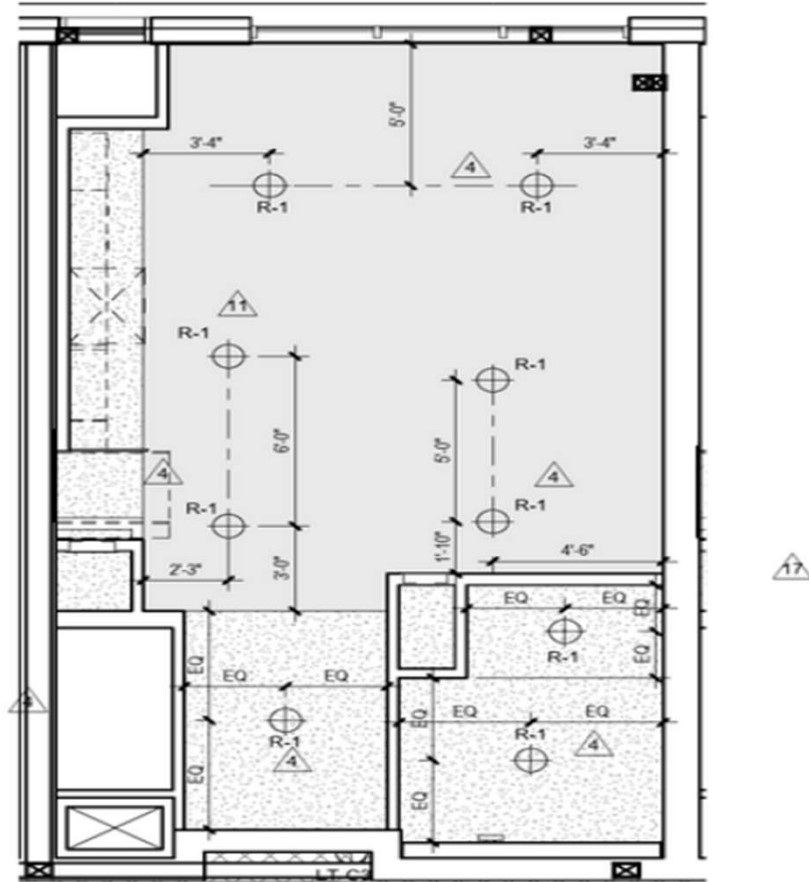












2  
A-413

UNIT A1M2 RCP

Scale: 1/4" = 1'-0"