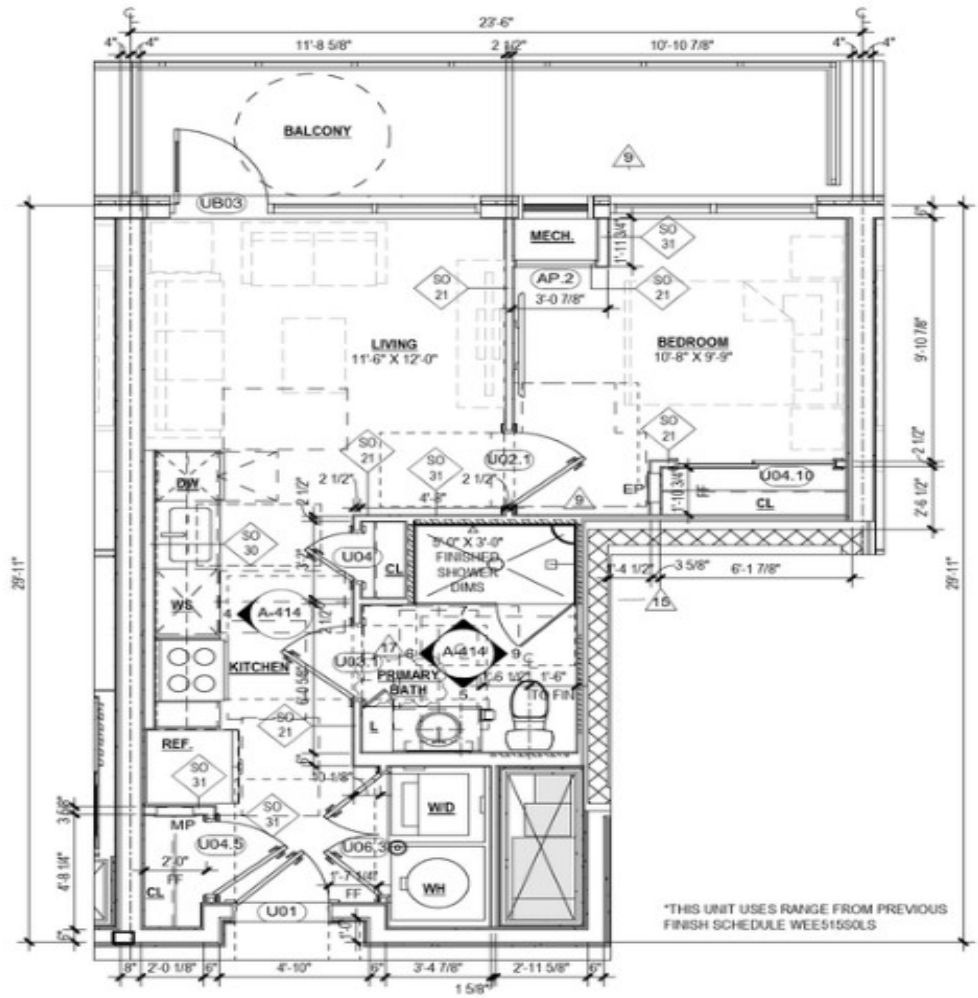
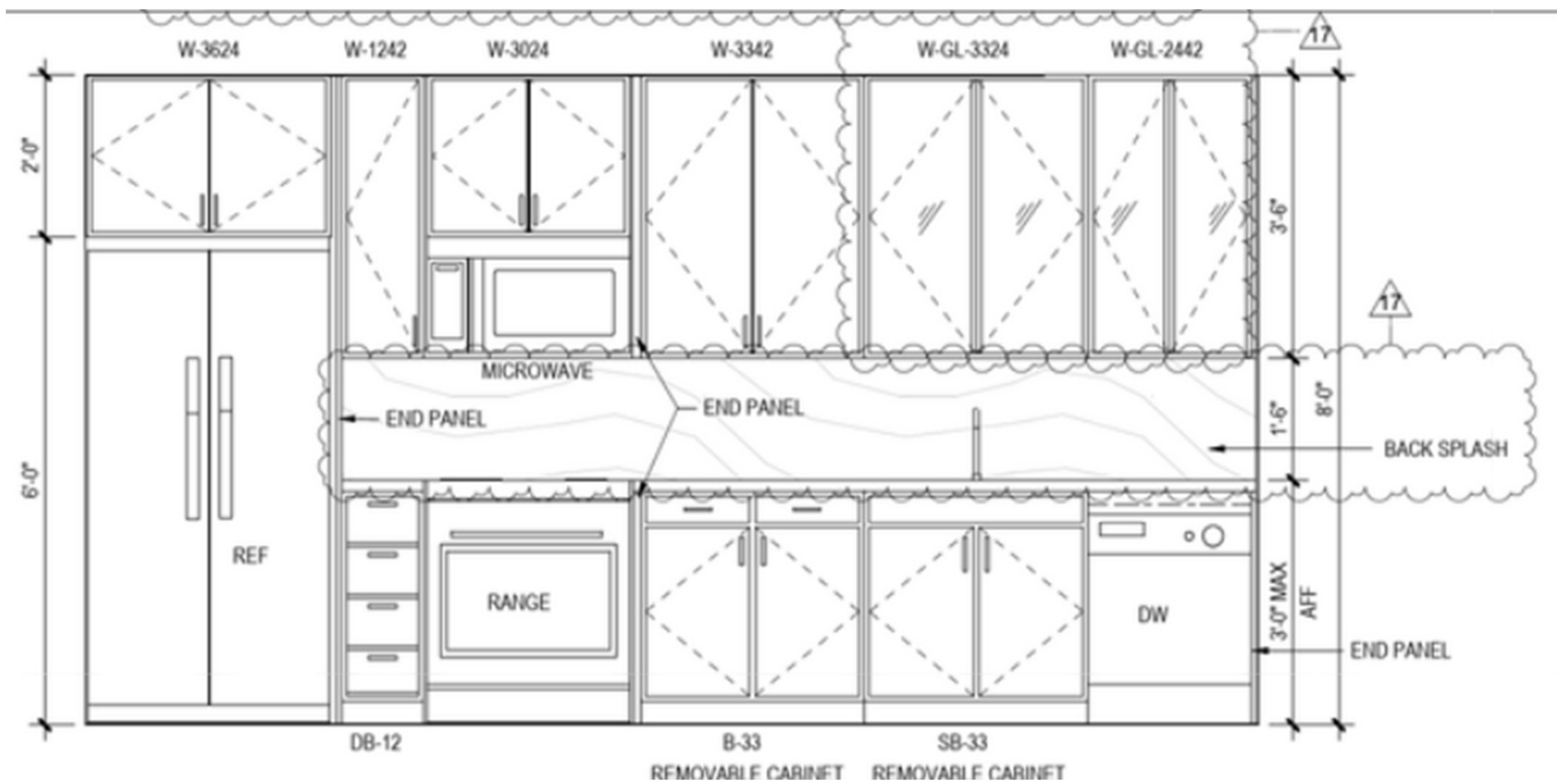


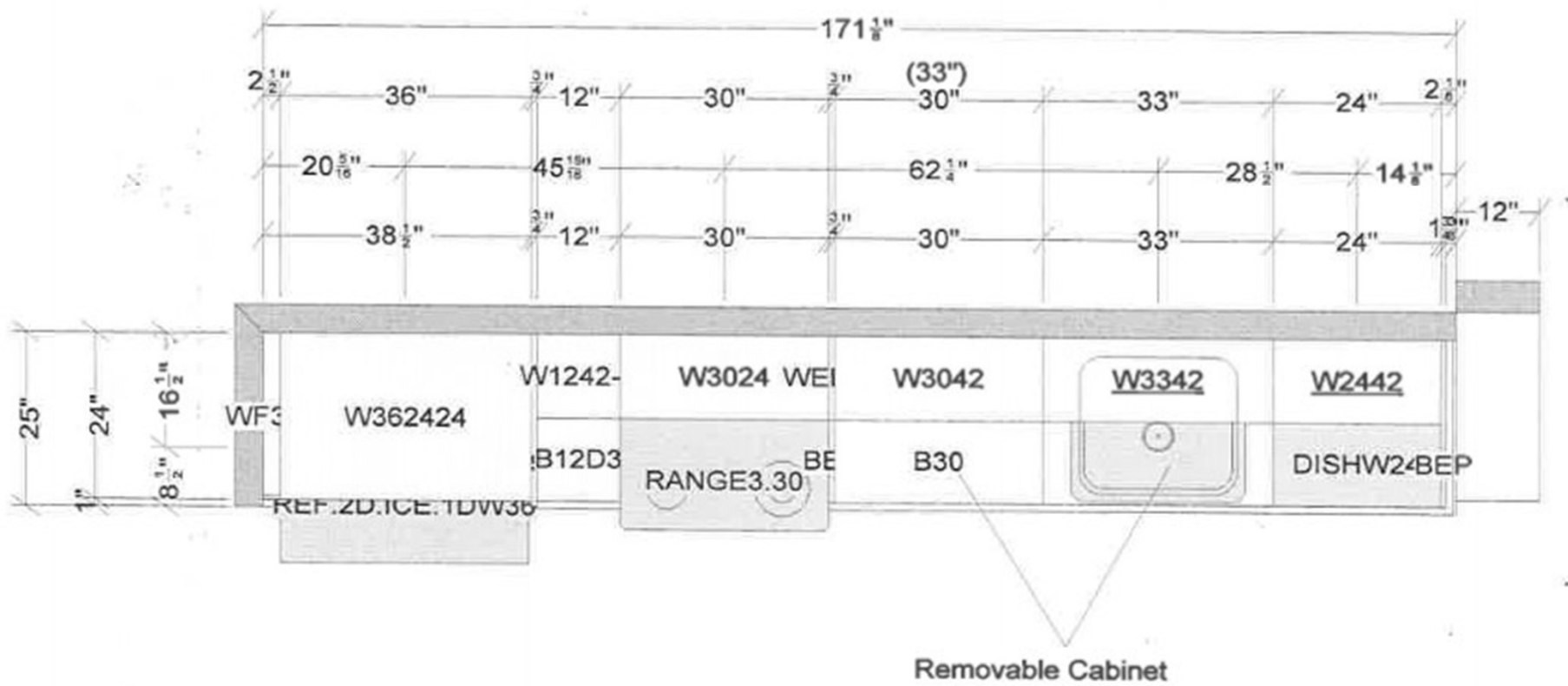
A2

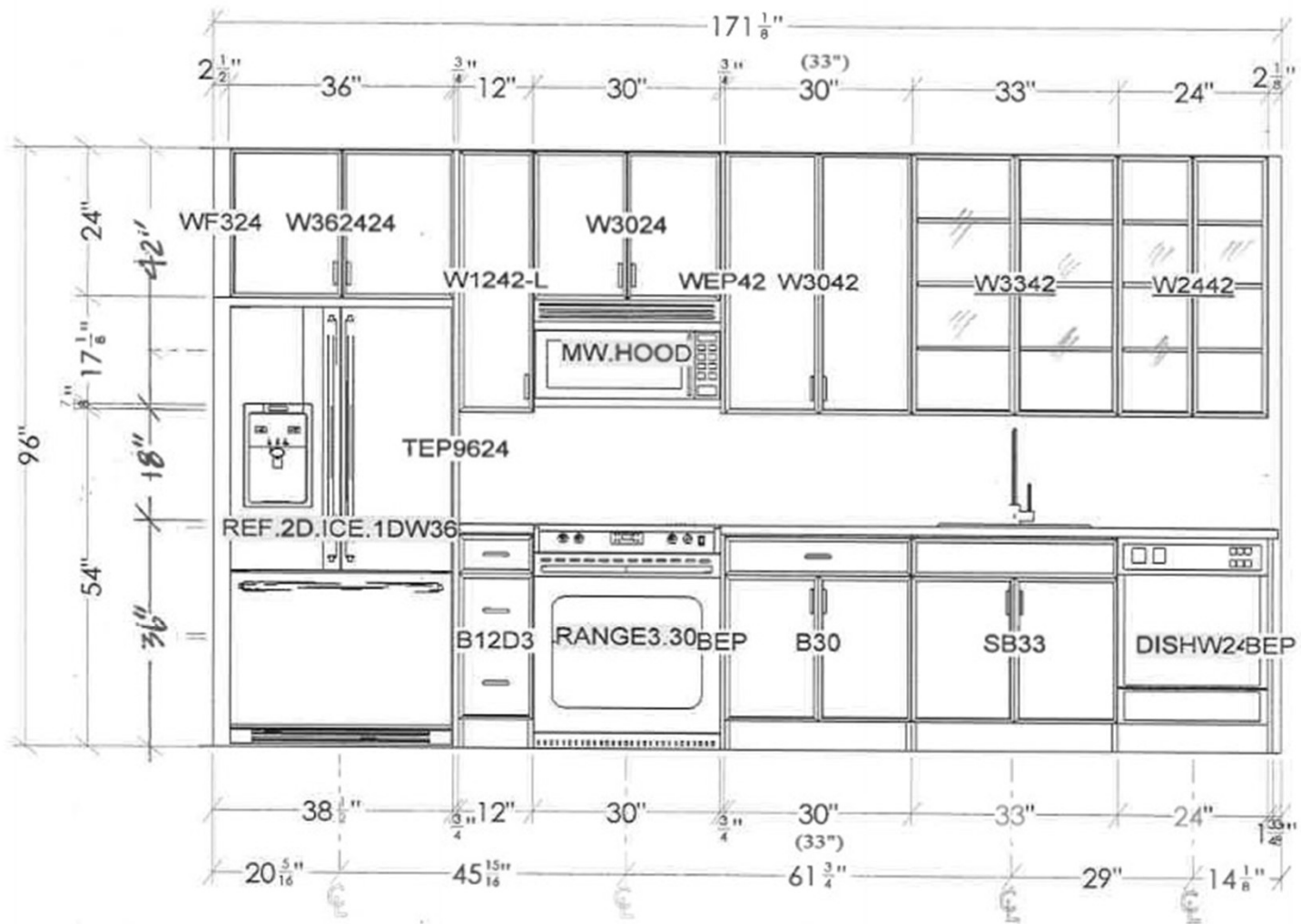


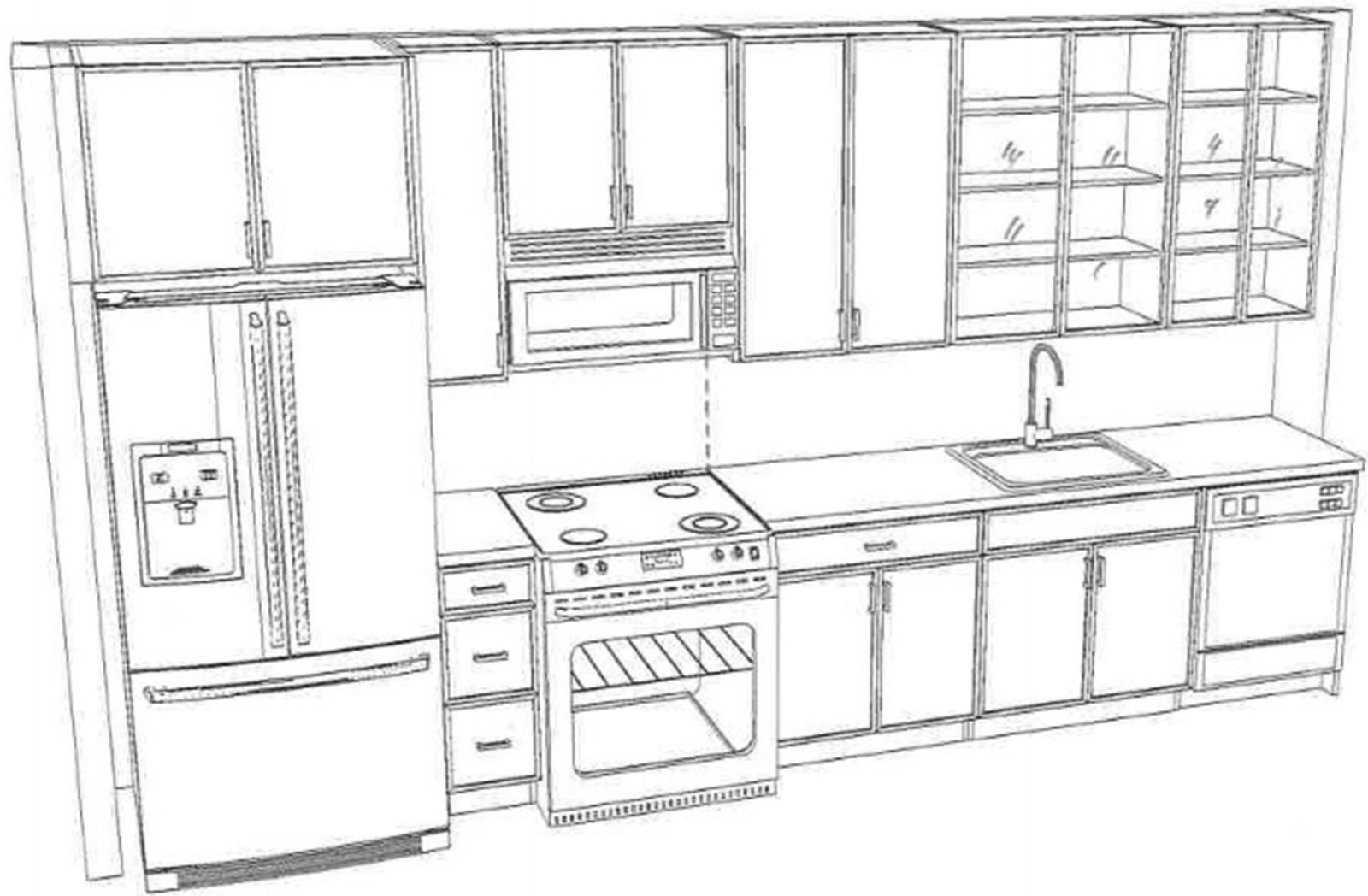
1
A-414
UNIT A2 PLAN
 Scale: 1/4" = 1'-0"

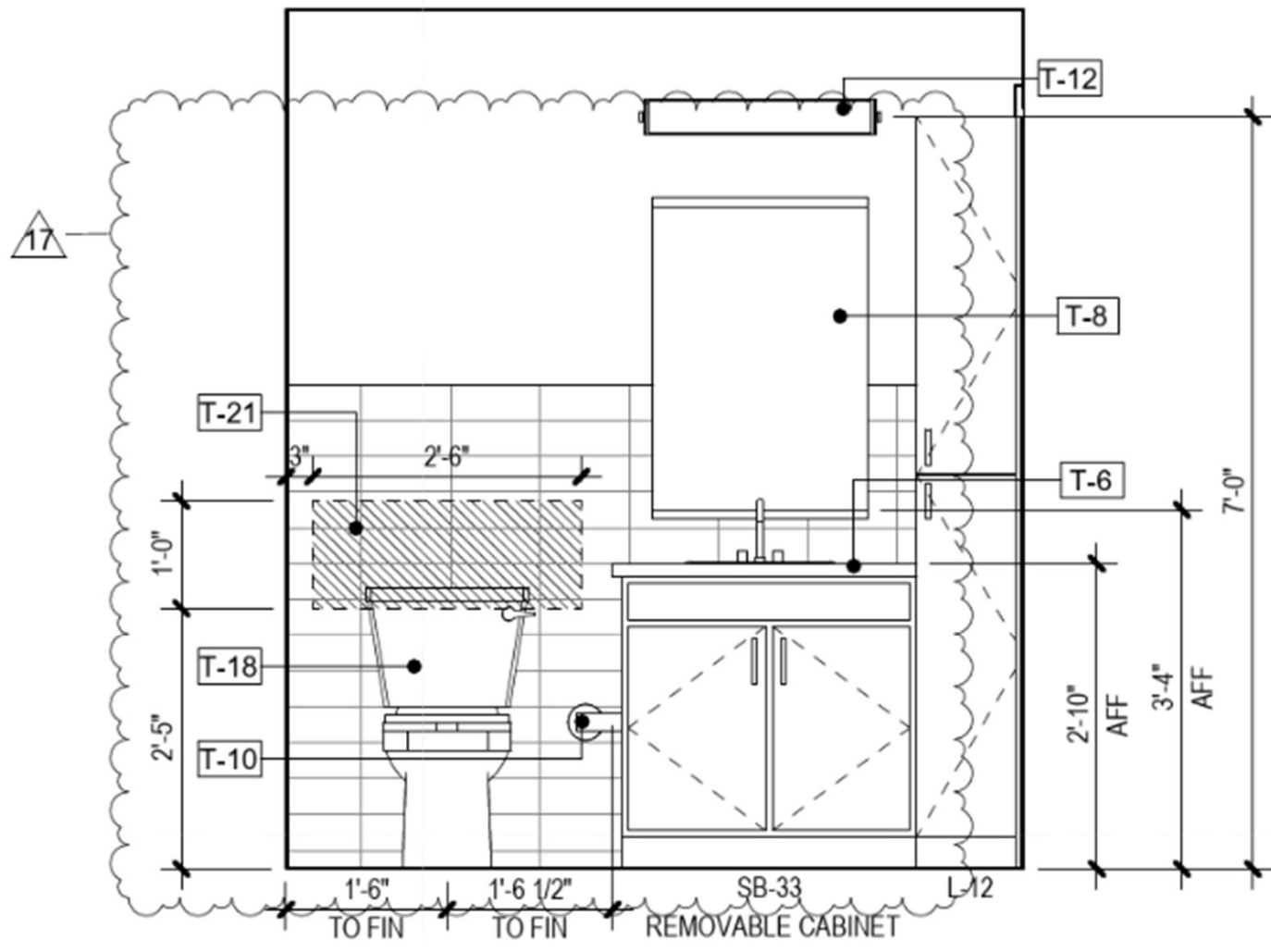
TOTAL 4 UNIT	AREA	548 GSF
--------------	------	---------

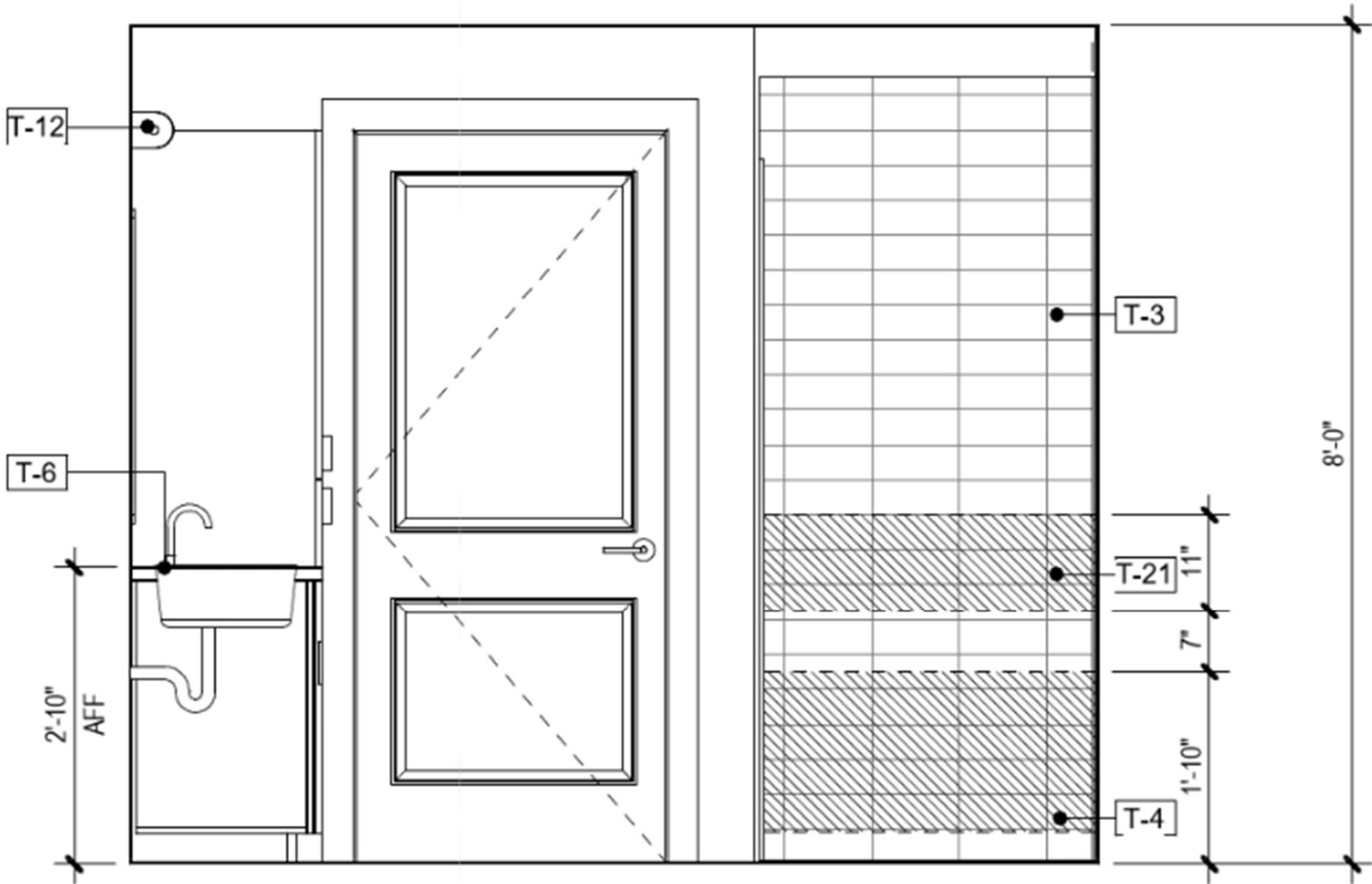


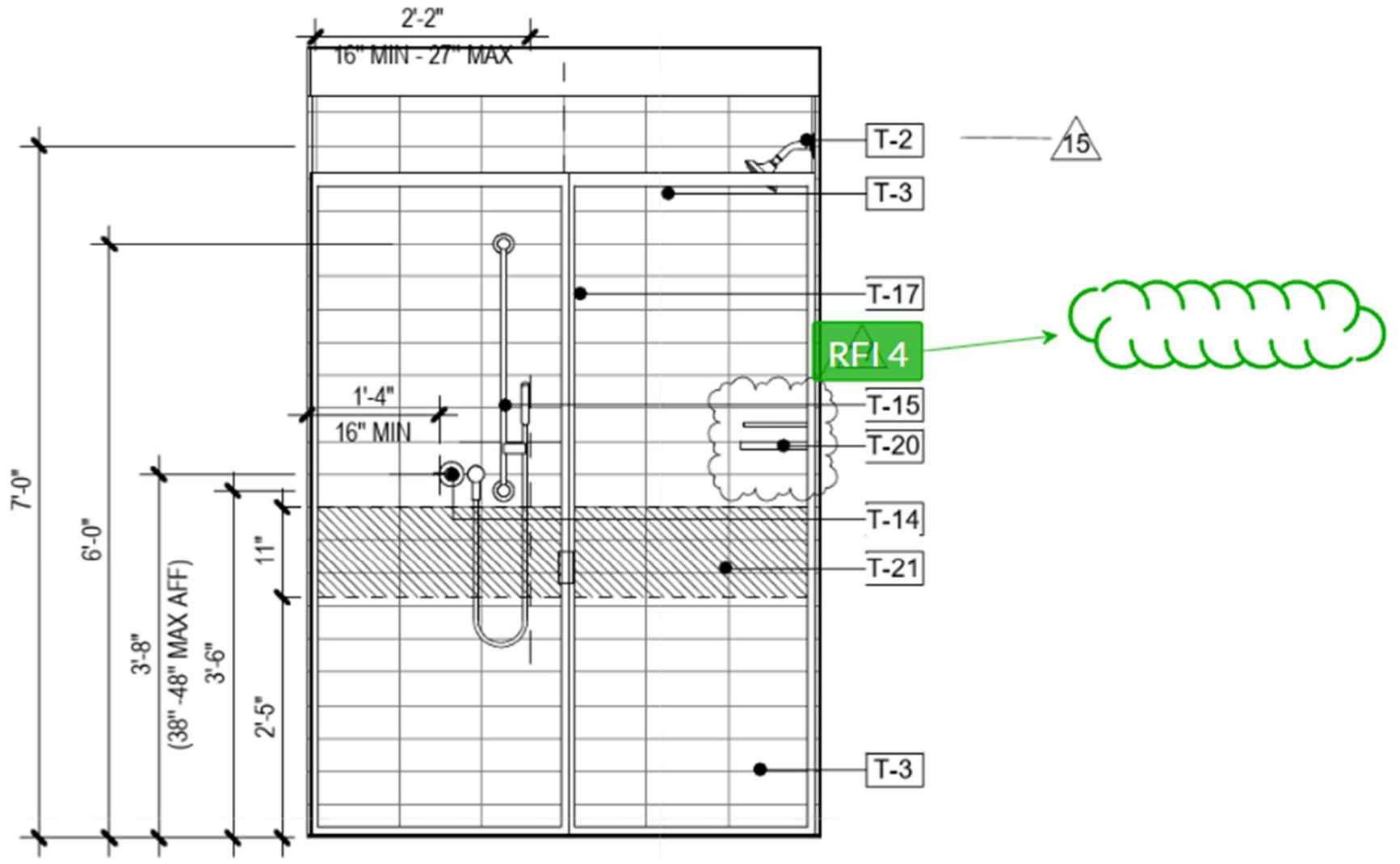


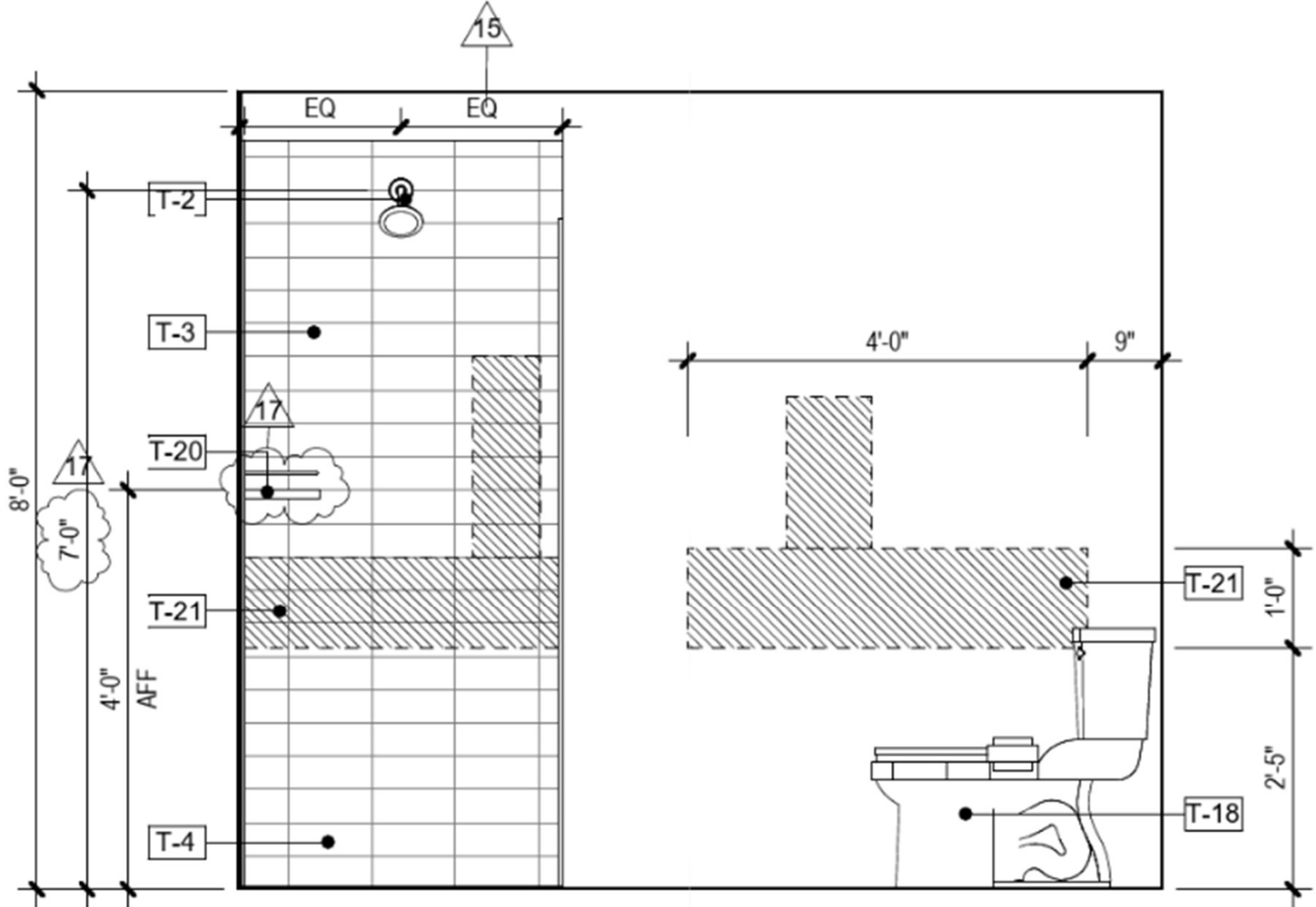


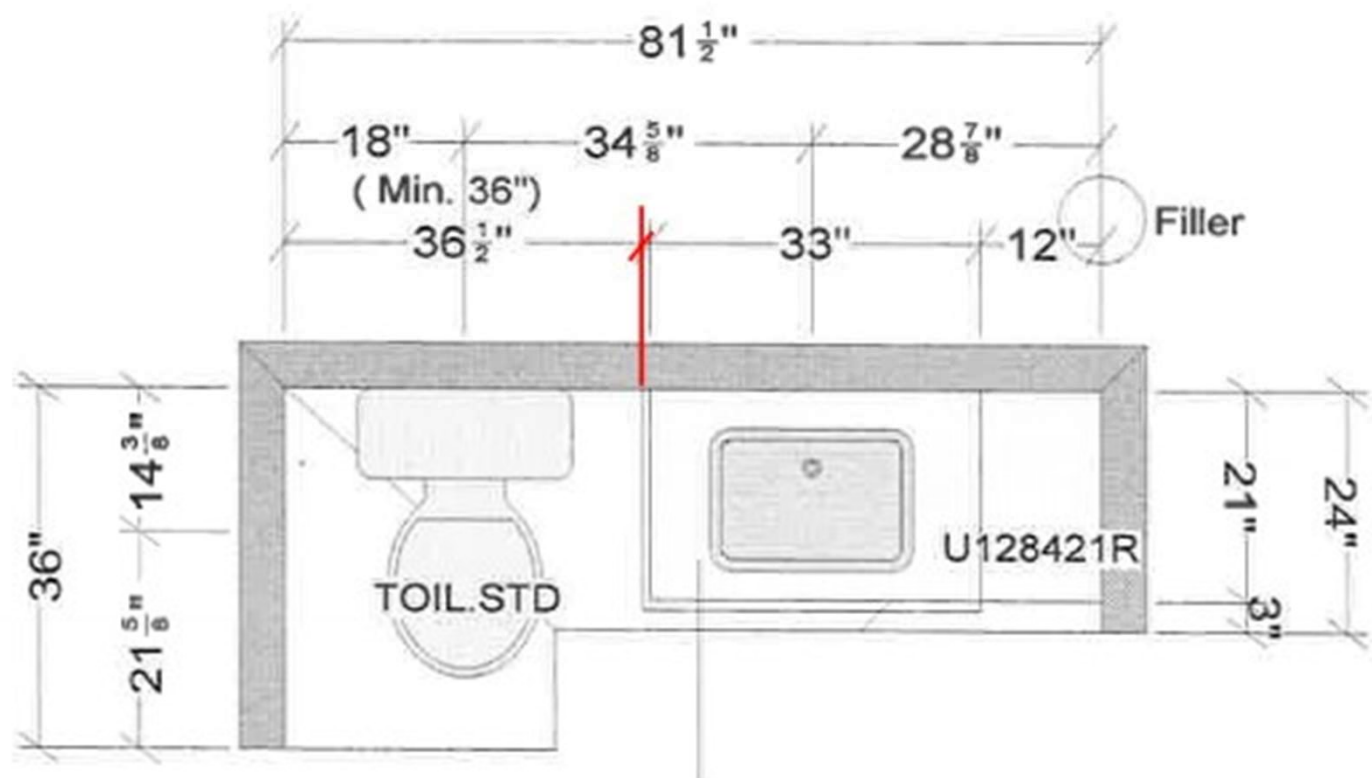




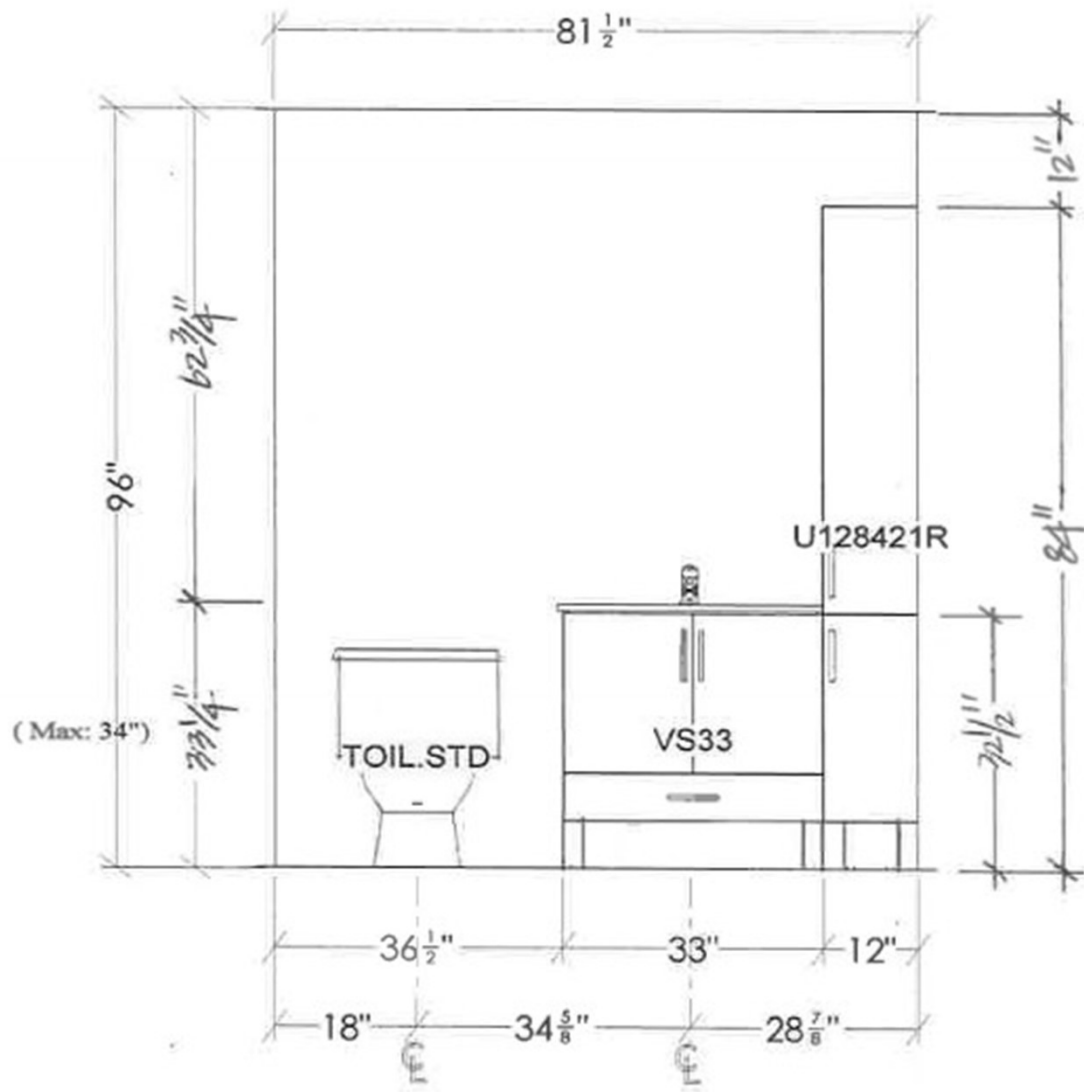


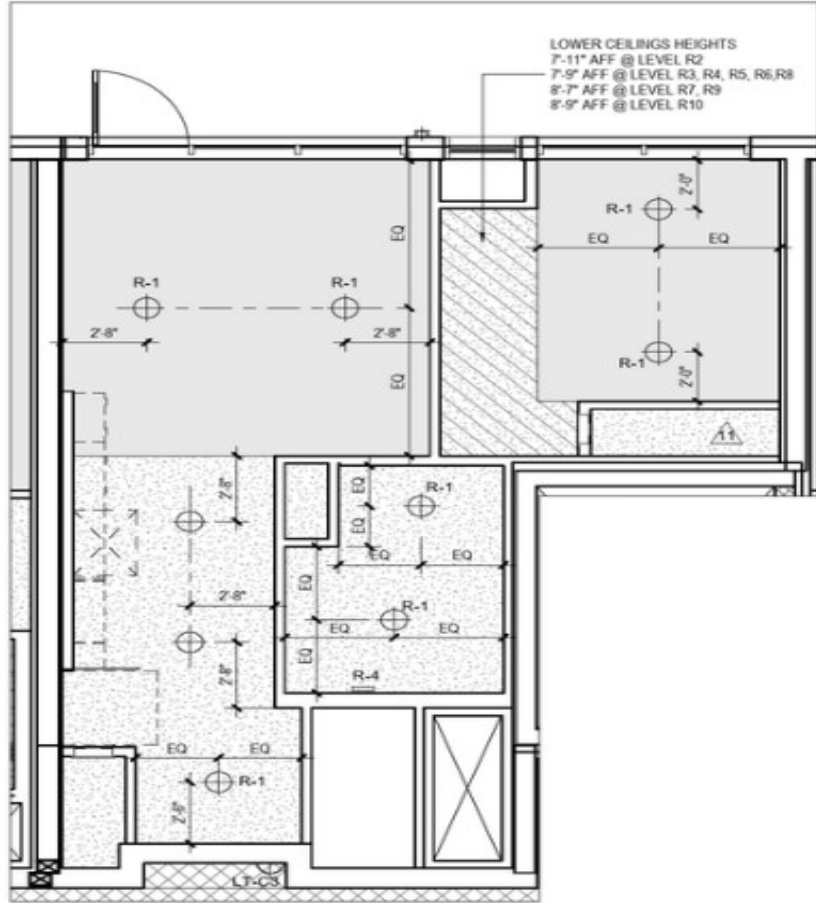






Removable Cabinet





2
A-414

UNIT A2 RCP

Scale: 1/4" = 1'-0"